

Installation made easy

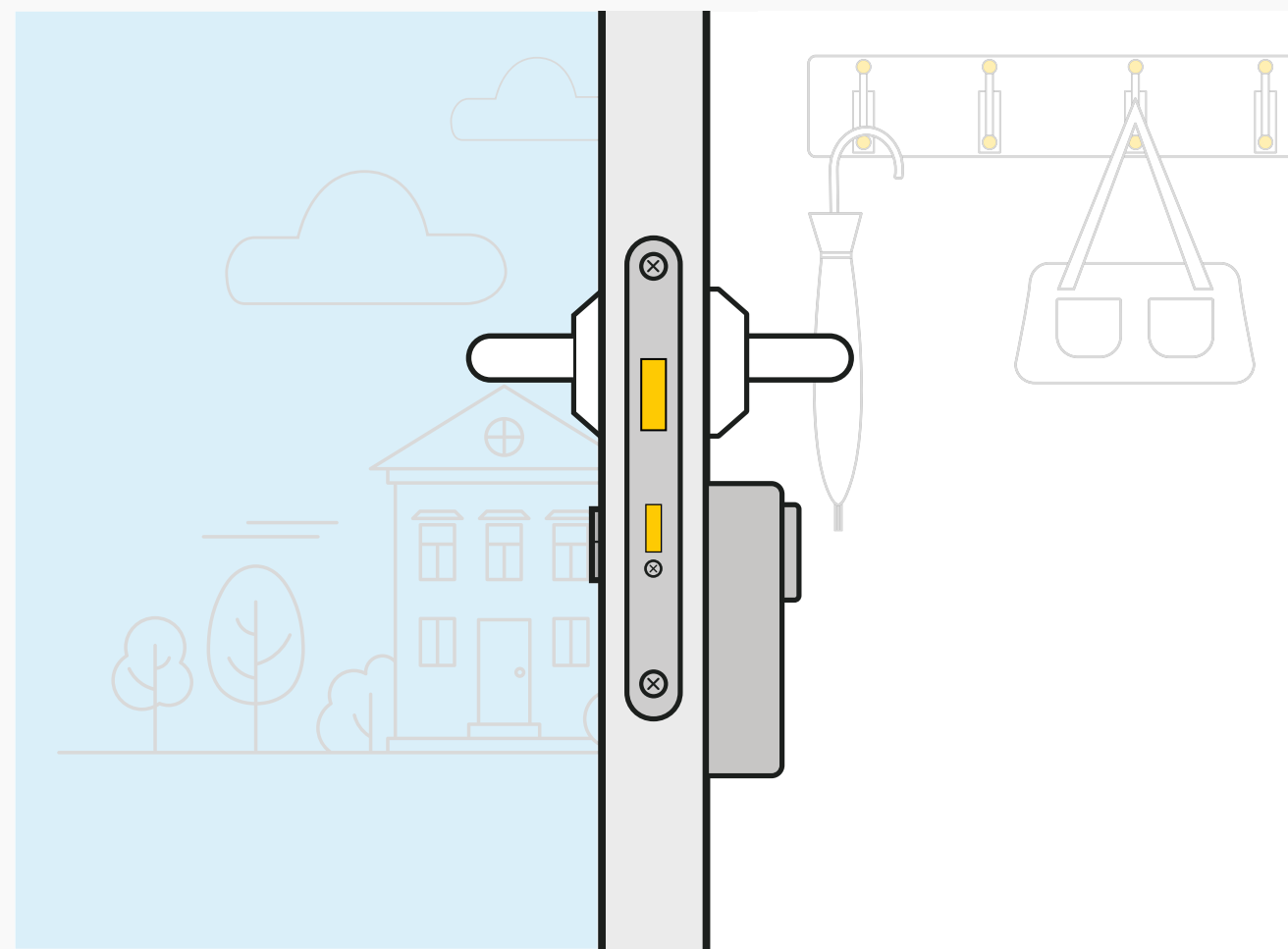
How to install the Linus[®] Smart Lock on a
Euro-cylinder



Where to use the Linus[®] L1 Smart Lock



Our Linus[®] Smart Lock is installed on the interior side of the door and is not intended for outdoor use.



Indoor use only
(Entrance / Front Door
/ Back door)



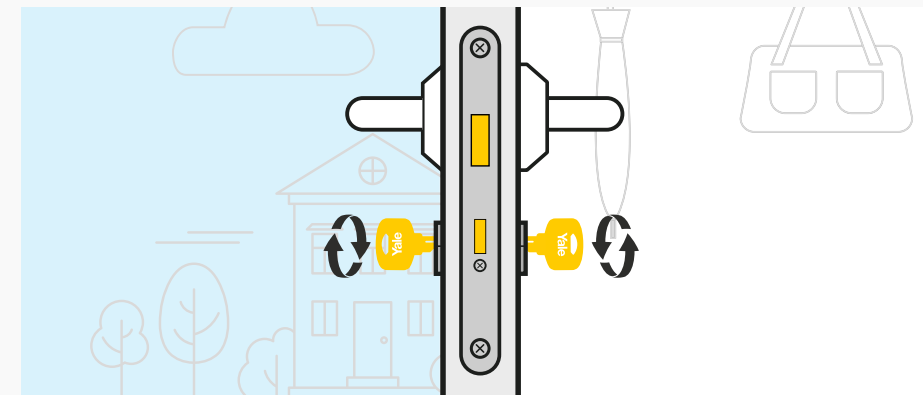
Not for outdoor use
(Gate lock)

Do you have a compatible cylinder lock?

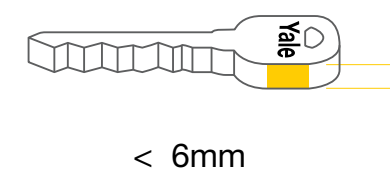


Your cylinder **is compatible** if the following is true for you:

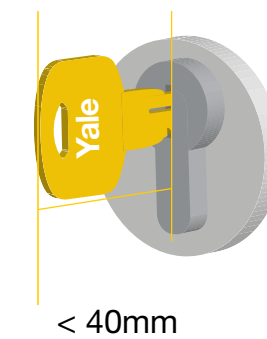
01) You **don't have a thumbturn** and you can use a key on the **inside and outside** at the same time



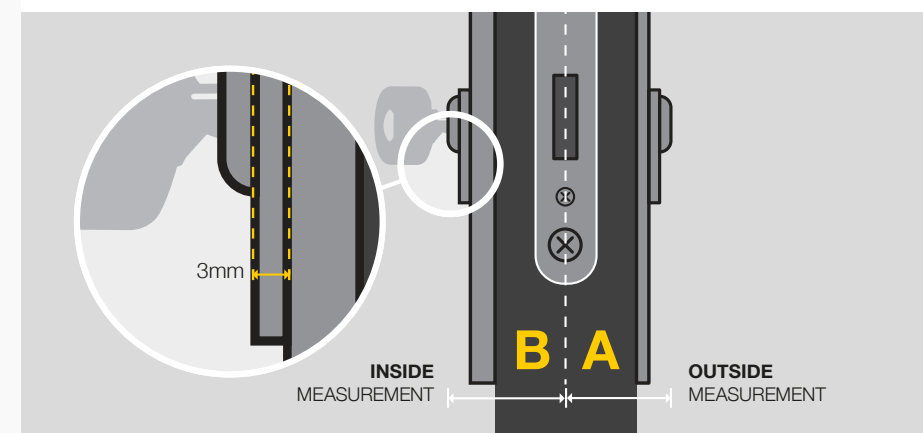
02) The thickness of your key is **less than 6mm**



03) The key protrudes **less than 40mm** from the cylinder

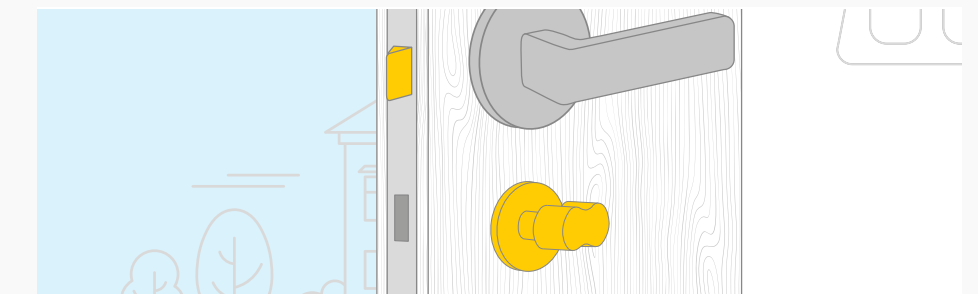


Note: If your cylinder sticks out **more than 3mm** from the door furniture, then follow our compatible cylinder installation steps. If your cylinder sticks out **less than 3mm**, please follow our flush mounted installation steps.

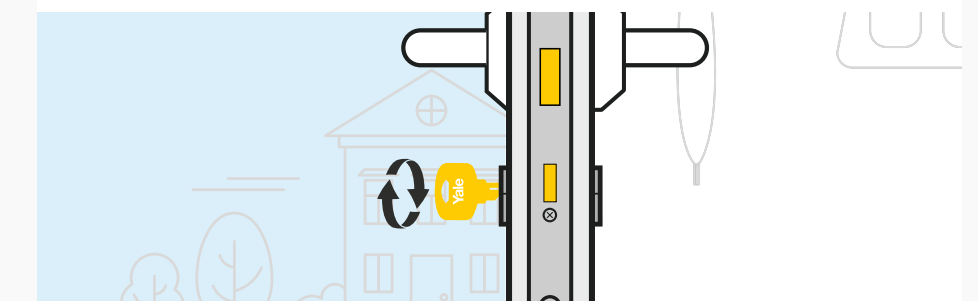


Your cylinder **is not compatible** if the following is true for you:

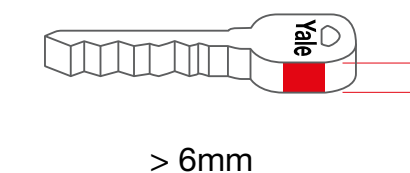
01) You **have** a thumbturn



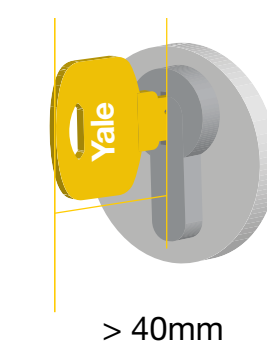
02) You **can't** use a key on the inside and outside at the same time



03) The thickness of your key is **more than 6mm**



04) The key protrudes **more than 40mm** from the cylinder



If any of these apply to you then you will need to either purchase the Yale Linus® adjustable cylinder or a compatible cylinder which has emergency/dual/double sided locking functionality and no internal thumbturn depending on the country.

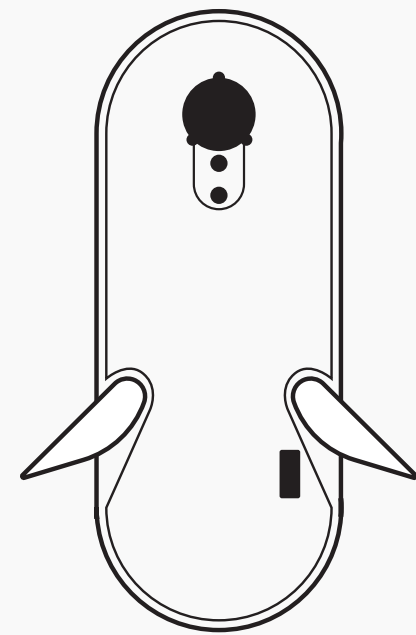
Installing on a compatible cylinder



Installing on a compatible cylinder

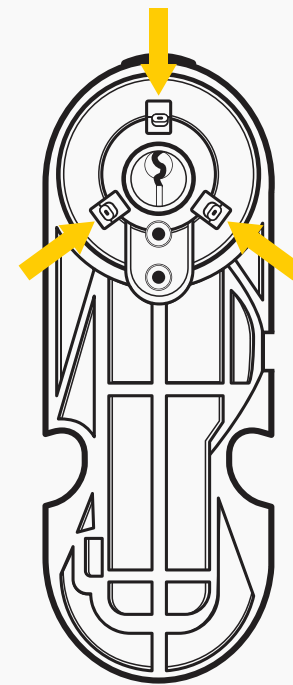


Compatible cylinder which protrudes at least 3mm out of the door.



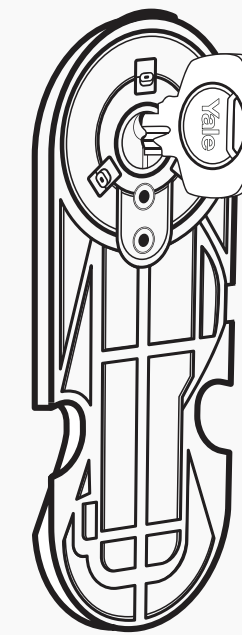
Step 1

Take the Linus® unit out of the box and open the wings to remove the fixing plate.



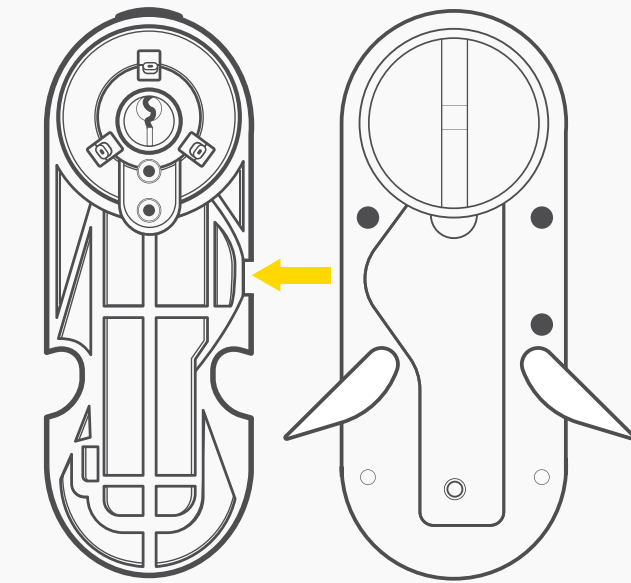
Step 2

Fit the mounting plate over your existing cylinder, You may need to loosen the grub screws (the screws on the plate that go around the cylinder) in order to stick the plate on. This can be done using the Allen key that is provided within the box. Once the plate is on the cylinder, tighten the screws back up holding the short end of the Allen key.



Step 3

Insert the key into cylinder on the internal side.

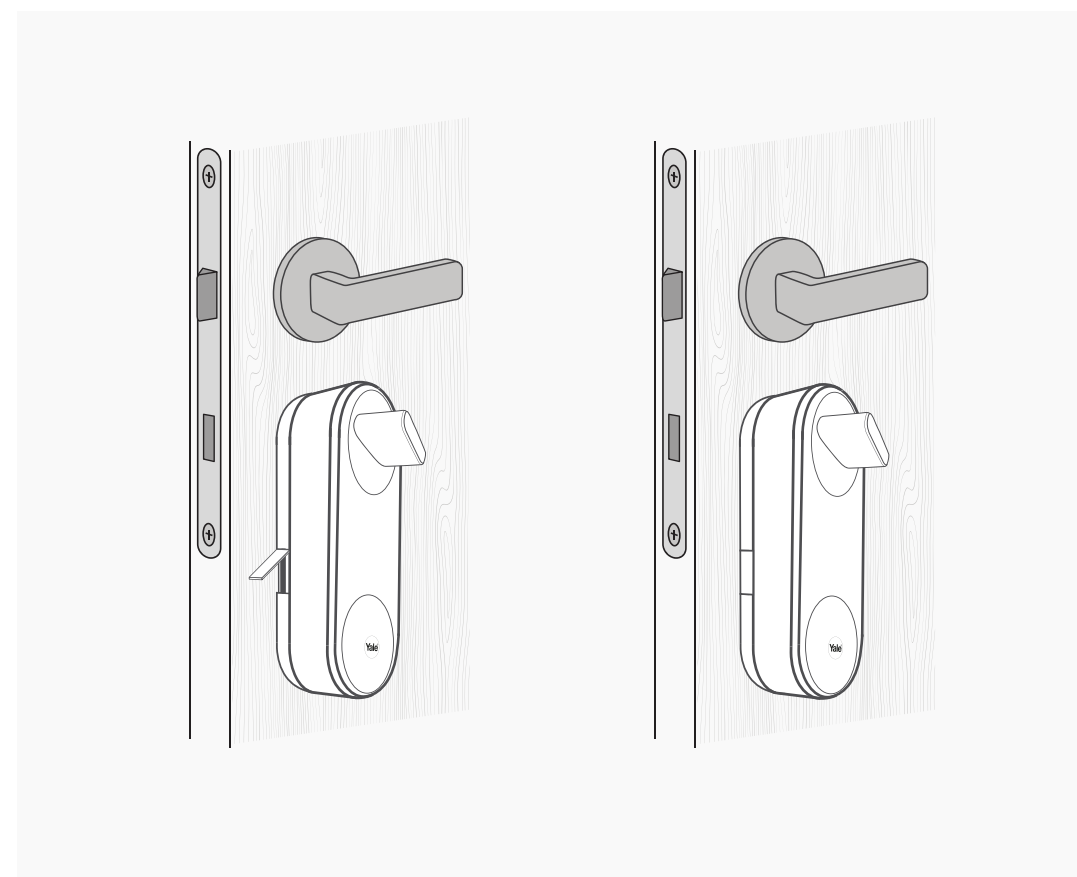


Step 4

Mount the Linus® onto the fixing plate making sure that the top is hooked onto the mounting plate before the top is fixed into place.

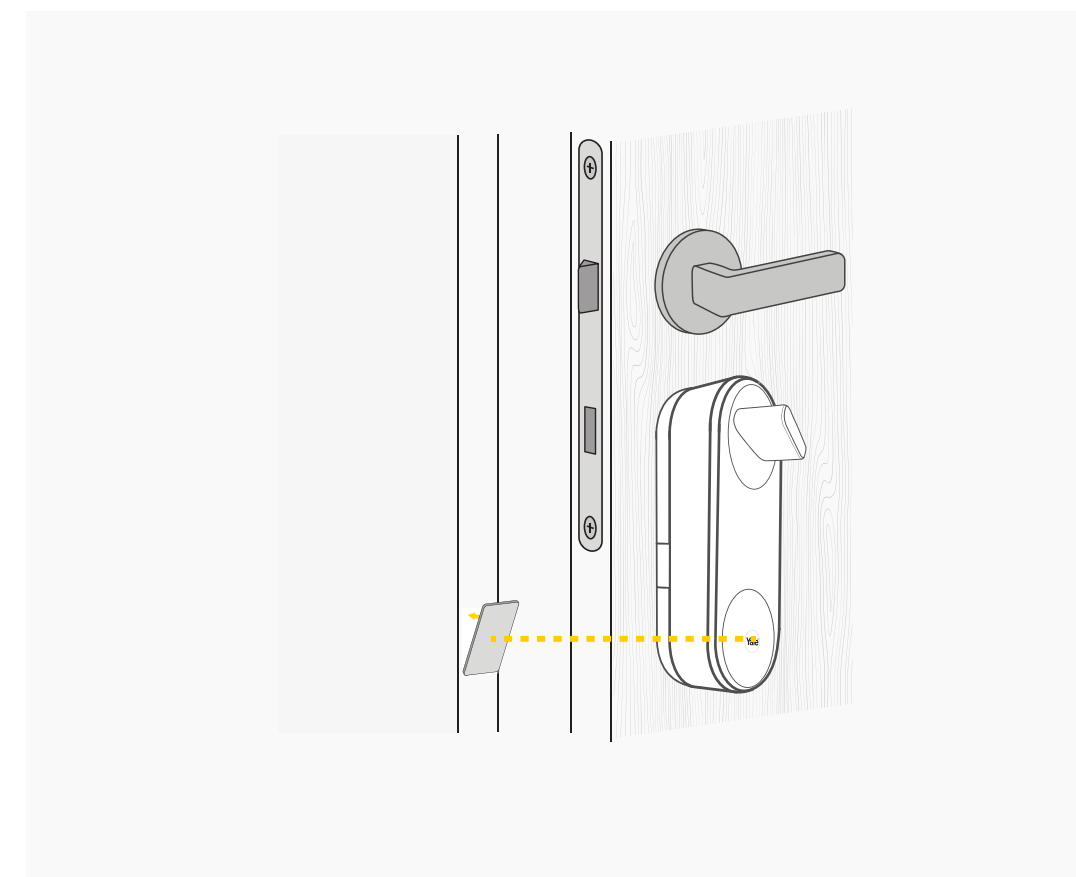
Installing on a compatible cylinder

Works with



Step 5

Close the 'wings' on the Linus® unit to securely fix it in place.



Step 6

Peel the backing film from the Doorsense magnet and stick it on the door frame, level with the Yale logo on the Linus® lock.

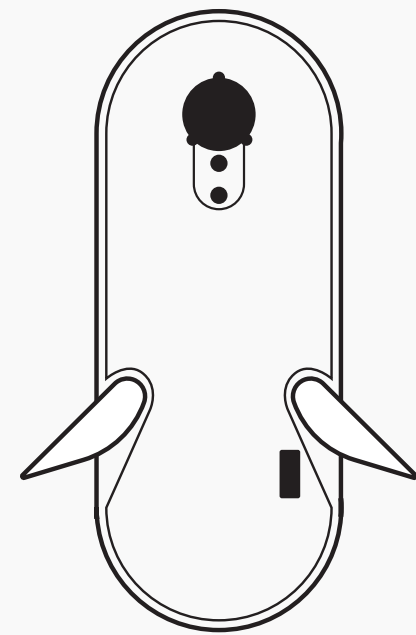


Step 7

Please continue setup of the Linus® unit by downloading the Yale Access app.

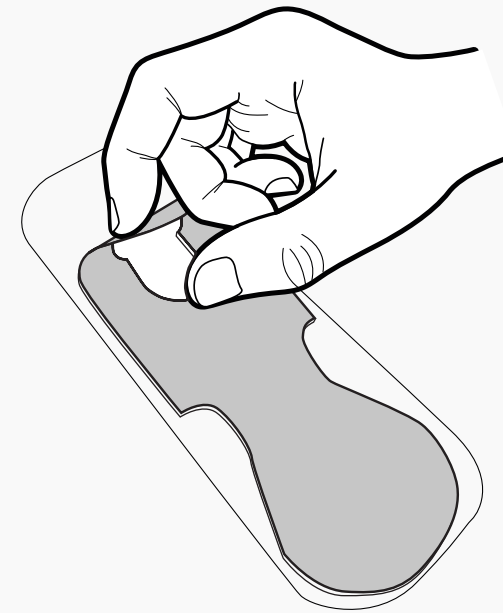
Installing with adhesive tape when cylinder is flush mounted

Compatible cylinder which does not protrude more than 3mm out of the door face.



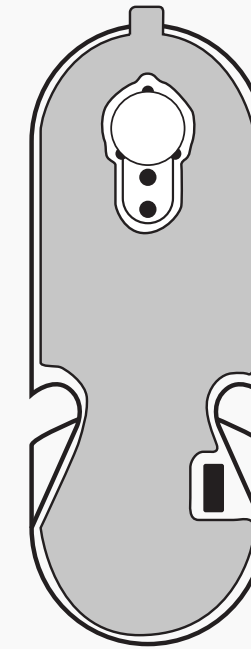
Step 1

Take the Linus® unit out of the box and open the wings to remove the fixing plate.



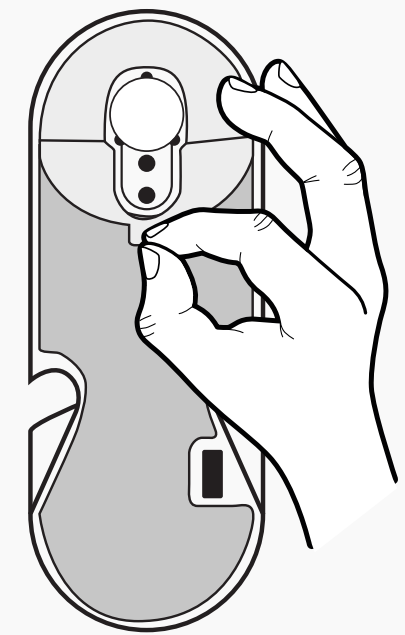
Step 2

Take the adhesive pad off the backing strip.



Step 3

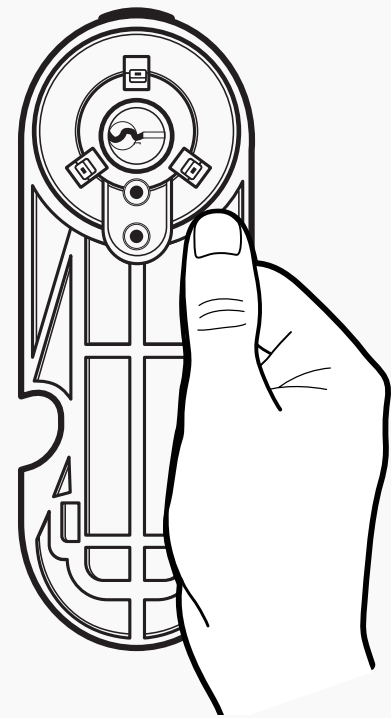
Stick the adhesive strip to the back of the fixing plate.



Step 4

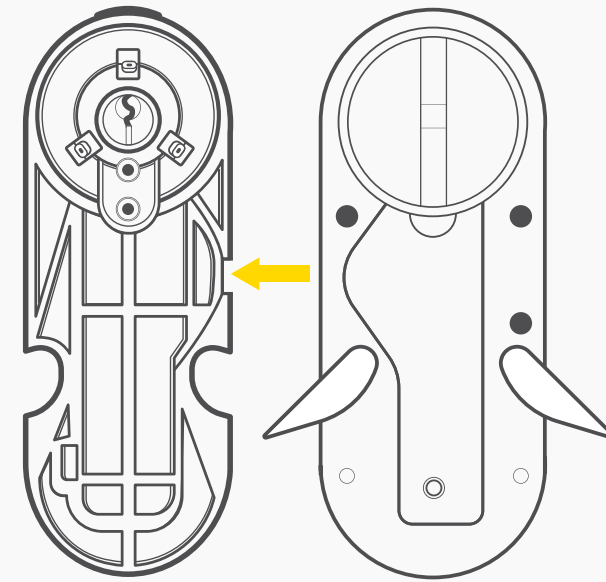
Peel the outer film from the adhesive strip.

Installing with adhesive tape when cylinder is flush mounted



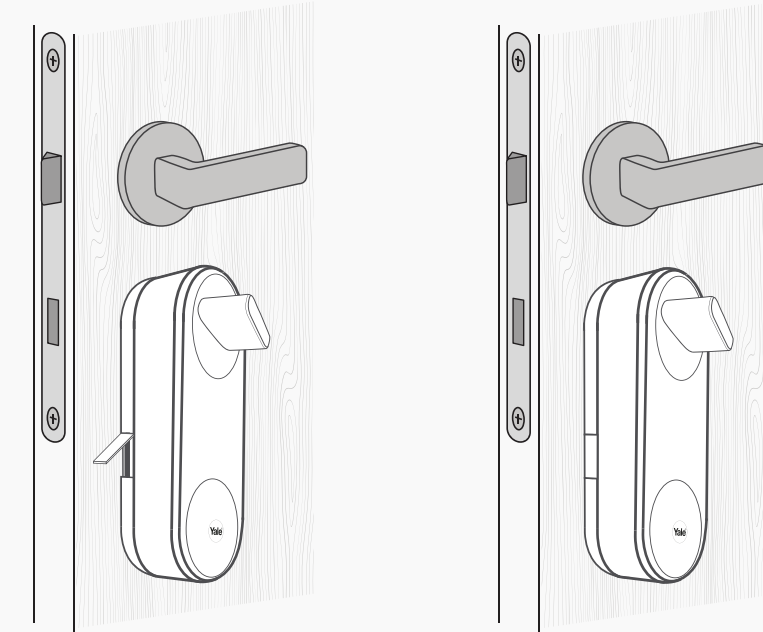
Step 5

Line the fixing plate up with your cylinder, and stick the plate to the inside of your door. You may need to loosen the grub screws (the screws on the plate that go around the cylinder) in order to stick the plate on. This can be done using the Allen key that is provided within the box.



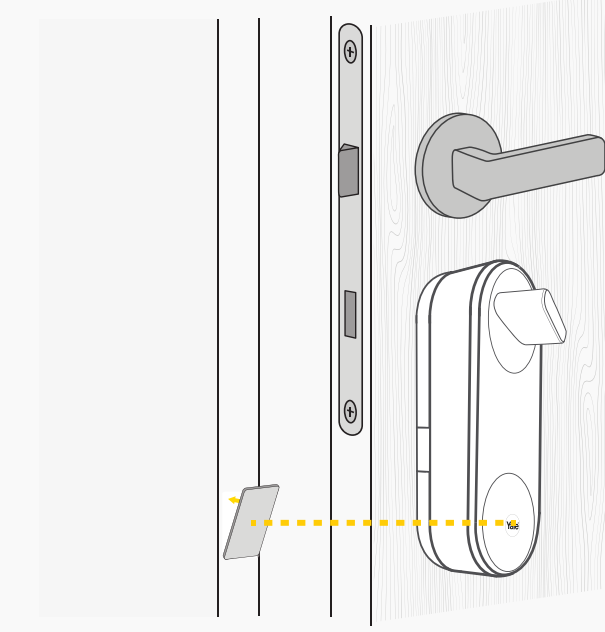
Step 6

Mount the Linus® onto the fixing plate making sure that the top is hooked onto the mounting plate before the top is fixed into place.



Step 7


Close the 'wings' on the Linus® unit to securely fix it in place.





Step 8

Peel the backing film from the Doorsense magnet and stick it on the door frame, level with the Yale logo on the Linus® lock.

Installing with adhesive tape when cylinder is flush mounted



Yale Access App



Step 9

Please continue setup of the Linus® unit by downloading the Yale Access app.

The image shows a white background with a yellow circle containing the Yale logo and the word "access" below it. Below this is the text "Yale Access App". Underneath are two black buttons: "GET IT ON Google Play" and "Download on the App Store". The bottom section has a grey background with the heading "Step 9" and the instruction "Please continue setup of the Linus® unit by downloading the Yale Access app."

Installing Linus[®] with the adjustable cylinder.



Linus[®] Adjustable Cylinder



The adjustable cylinder will allow the Linus[®] Smart Lock to be sold to consumers who don't have a compatible euro cylinder.

Lengths of cylinder:



30+30

Shortest cylinder variant

Internal cylinder lengths:

- 30mm minimum - 65mm maximum
- 5mm size increments



60+65

Longest cylinder variant

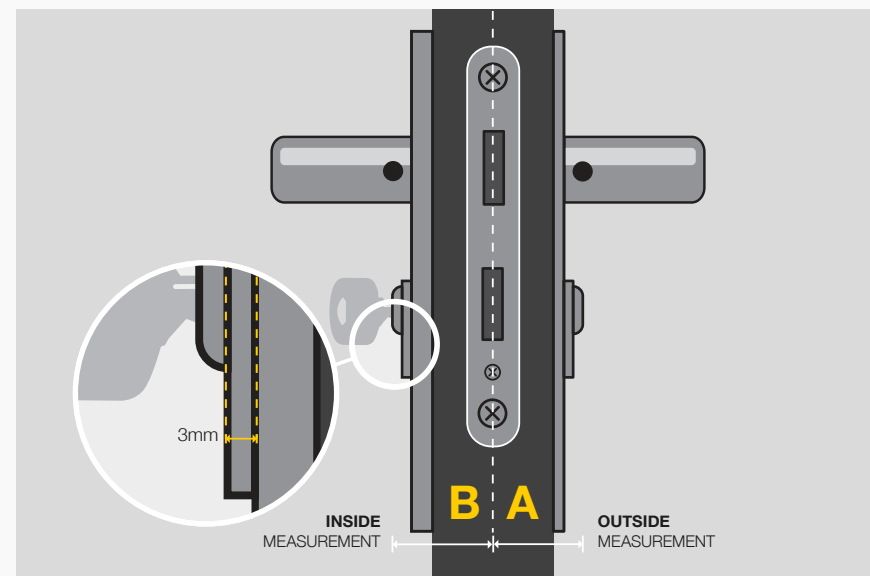
External cylinder lengths:

- 30mm minimum - 60mm maximum
- 5mm size increments

Installing on a Yale Linus[®] Adjustable Cylinder

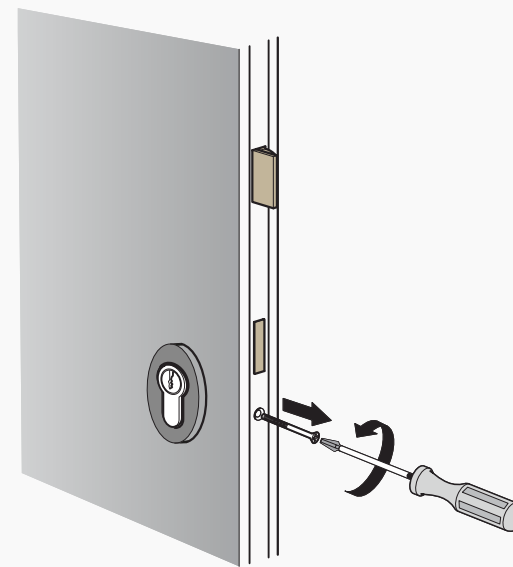


The Yale Linus[®] adjustable cylinder can be ordered from Yale distributors, please go to www.yalehome.com to find your nearest distributor



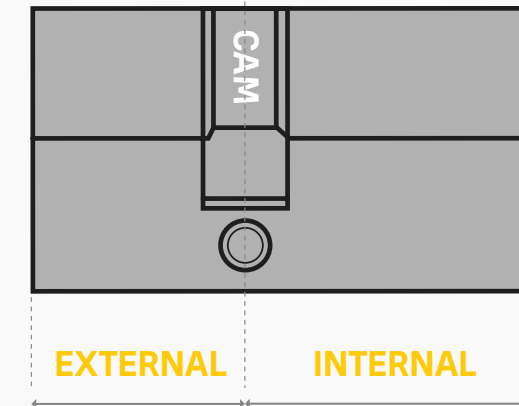
Step 1

Before we start, please measure how far your existing cylinder sticks out from your door furniture. If it is less than 3mm, please keep this in mind for later in the installation process.



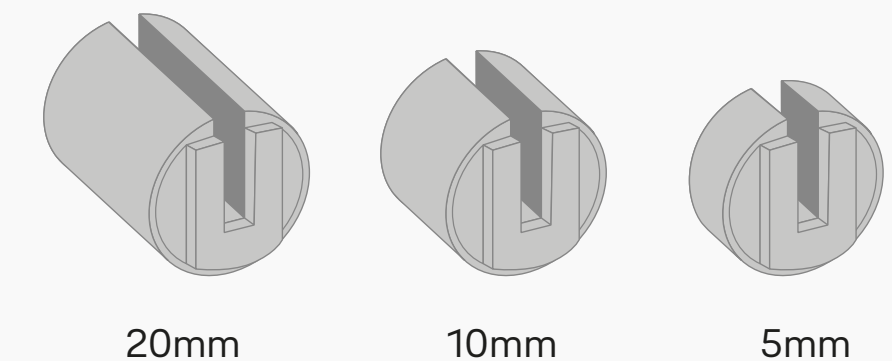
Step 2

You will need to loosen your current door furniture (cylinder rose/handle), this will allow you to easily remove your current cylinder. The screws to loosen the current furniture are normally on the furniture on the internal side of the door.
Next remove your existing cylinder. To do this unscrew the cylinder fixing screw. This can normally be found below the bolt on the lock (see diagram above). You will then probably need to insert and turn or jiggle the key to allow you to pull the cylinder from the door.



Step 3

You'll now need to measure the size of your existing cylinder by measuring the length of each half, to the centre of the cam. This will give you two measurements, for example – 60mm and 40mm. It is important to know which measurement is for the external side and which one is for the internal side so that you adjust the cylinder correctly. If during the first step your cylinder protruded from the internal side of the door by less than 3mm, you will at this stage need to add an additional 3mm to your internal measurement. This ensures that the Linus[®] lock can easily attach to the cylinder later.

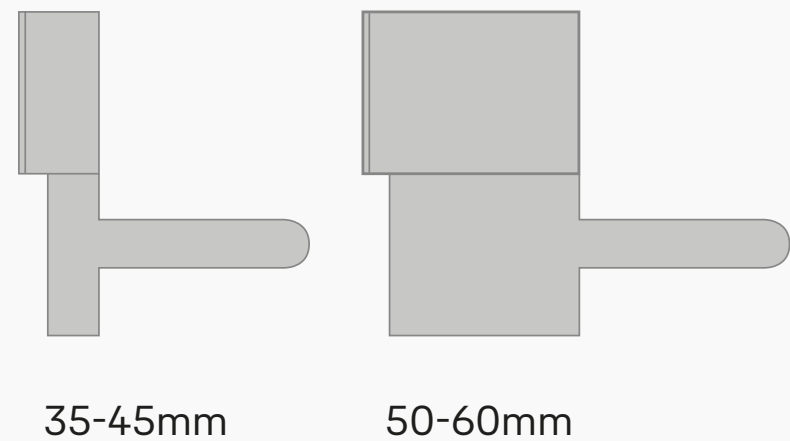


Step 4

If your measurements are 30mm on the external length and 30mm on the internal length you don't need to do anything. The adjustable cylinder can be fitted as it is. Please skip to step 09. If your external measurement is more than 30mm, please add the external spacers together to form the difference between 30mm and your current cylinder's external length. For example if your current cylinder has an external length of 45mm, you would need to use both the 10mm and 5mm external spacer. If your cylinder length was in-between two sizes of spacers, please use the longer size.

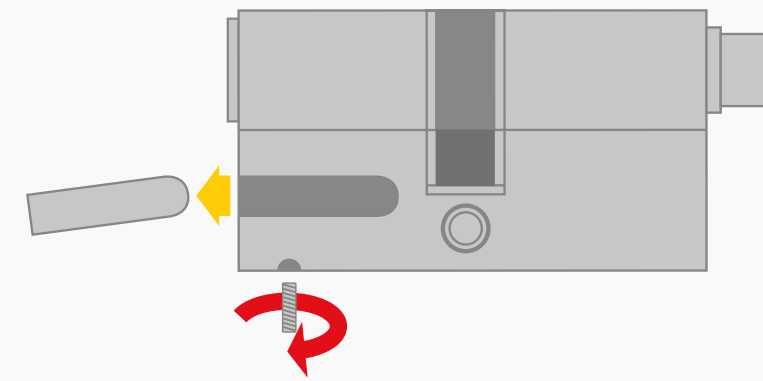
Installing on a Yale Linus[®] Adjustable Cylinder

Yale



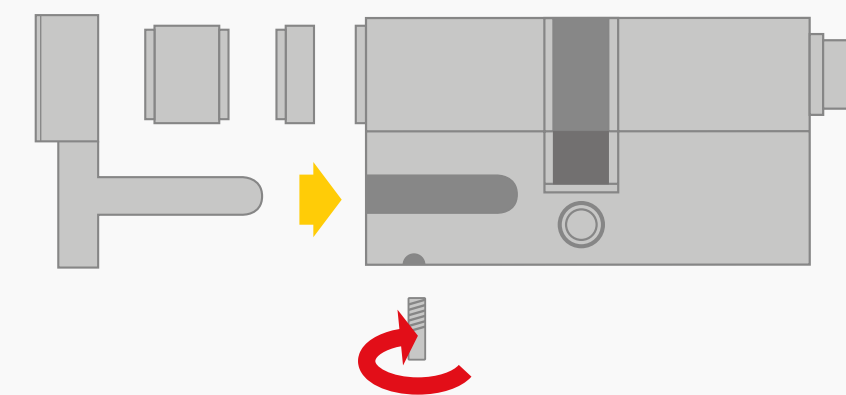
Step 5

Next, pick the external faceplate that you require. If the external length of your existing cylinder is between 35mm and 45mm, please use the shorter faceplate. If it was between 50mm and 60mm please use the longer faceplate.



Step 6

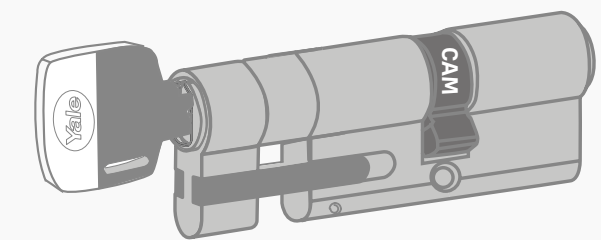
Using the small Allen key, loosen the screws at the bottom of the cylinder (see red arrow) until both filler pieces can be removed (see yellow arrow).



Step 7

Assemble the external spacers with the external faceplate onto the cylinder (see yellow arrow), making sure that the smallest external spacer is closest to the cylinder. Secure in place with the screws at the bottom of the cylinder (see red arrow below).

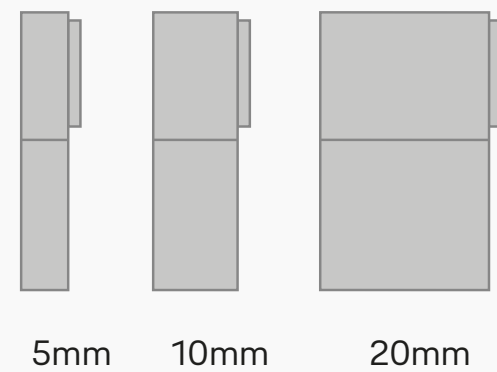
NEW



Step 8

Once you have assembled your new cylinder, insert the key in the external side of cylinder and make sure it can turn the cylinder freely.

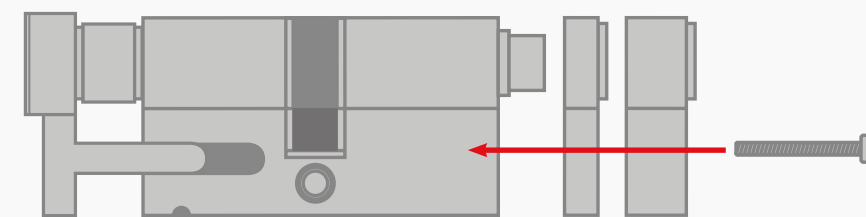
Installing on a Yale Linus[®] Adjustable Cylinder



5mm 10mm 20mm

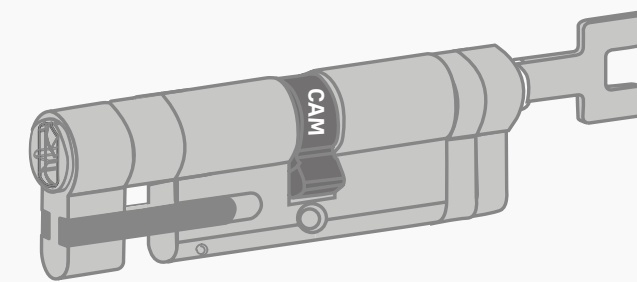
Step 9

If the internal measurement of your existing cylinder is more than 30mm including the 3mm mentioned in step 3, please add the internal spacers together to form the difference between 30mm and your current cylinders internal length. For example if your current cylinder has an internal length of 45mm, you would need to use both the 10mm and 5mm internal spacer. If your cylinder length was in-between two sizes of spacers, please use the longer size.



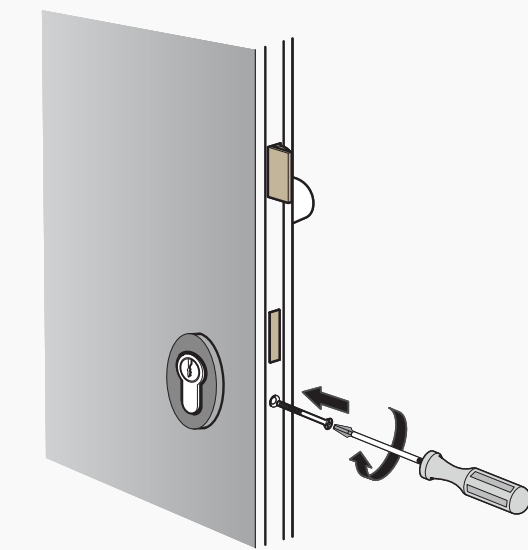
Step 10

Next assemble the internal side of your cylinder using the correct spacers for your door (the size of the spacer is printed on the side of the spacer), securing them in place with either the short screw or the longer screw through the central hole with the larger allen key. The smallest spacer should be closest to the cylinder.



Step 11

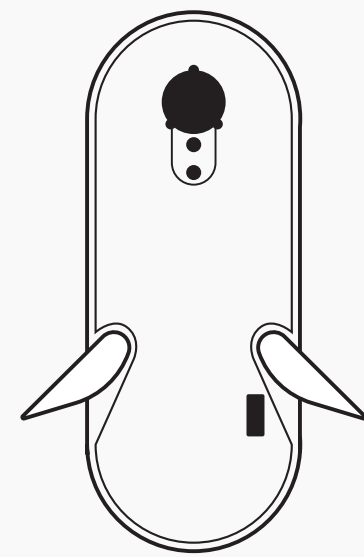
After you have fully assembled your cylinder, please insert the tailbar into the cylinder. If your internal measurement was 45mm or under please use the shorter tailbar that was provided, if not please use the larger one. Then make sure you can turn the cylinder freely using the tailbar.



Step 12

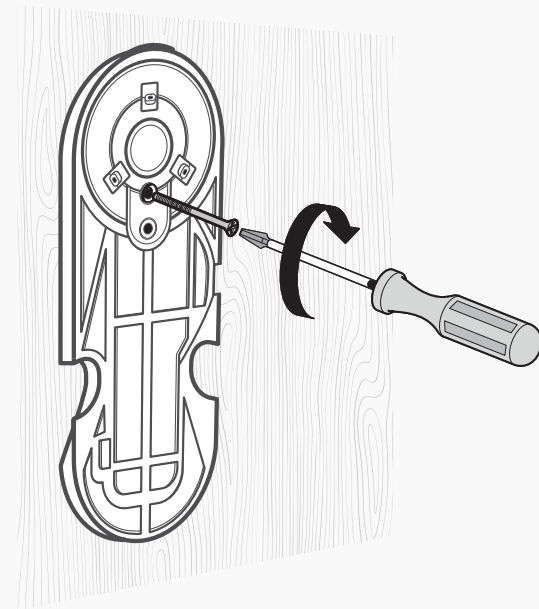
Go to the internal side of your door, and turn the tailbar so that the cam lines up with the body of the cylinder to allow it to fit inside the hole in your door. You may need to turn or jiggle the tailbar to get the cylinder into place. You may also need to loosen your current door furniture (rose/handles) if it is tight around the cylinder. Secure the cylinder in place with the cylinder fixing screw, and tighten the door furniture on the door.

Installing on a Yale Linus[®] Adjustable Cylinder



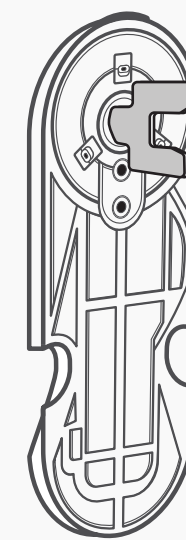
Step 13

Take the Linus[®] unit out of the box and open the wings to remove the fixing plate.



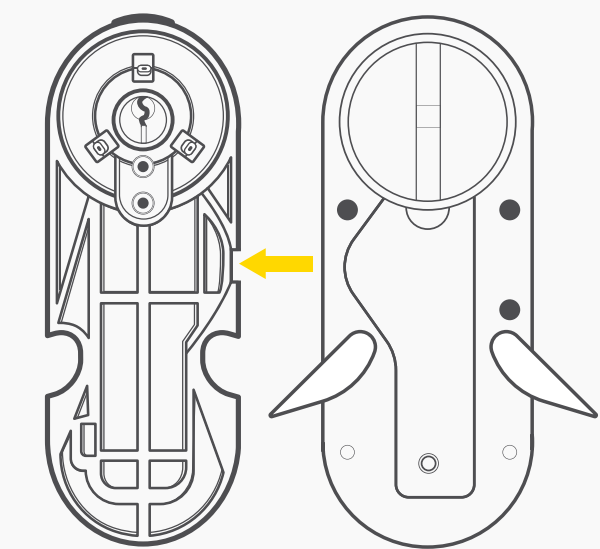
Step 14

Add the mounting plate onto the internal side of the cylinder making sure that you have 3mm extended in order to fix the mounting plate. Fix the plate in place with the two small screws.



Step 15

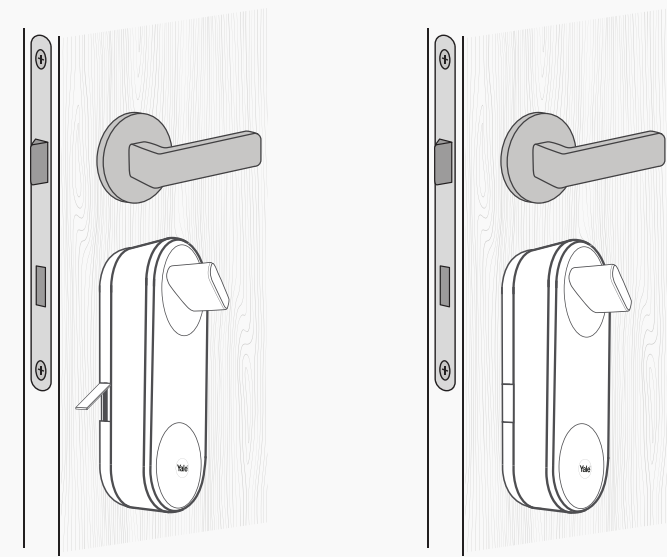
Add the tailbar to the internal side of the cylinder, making sure it can turn the cylinder freely. If the internal measurement is below 45mm use the short tailbar, above then use the long tailbar.



Step 16

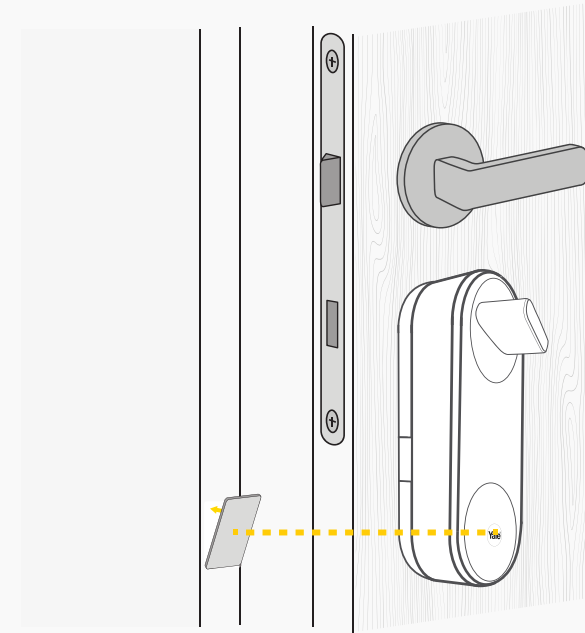
Mount the Linus[®] onto the fixing plate pushing the top of the unit onto the mounting plate first.

Installing on a Yale Linus[®] Adjustable Cylinder



Step 17

Close the 'wings' on the Linus[®] unit to securely fix it in place.



Step 18

Peel the backing film from the Doorsense magnet and stick it on the door frame, level with the Yale logo on the Linus[®] lock.



Yale Access App



Step 19

Please continue setup of the Linus[®] unit by downloading the Yale Access app.